

# SKYLIFT

# AlleyCat



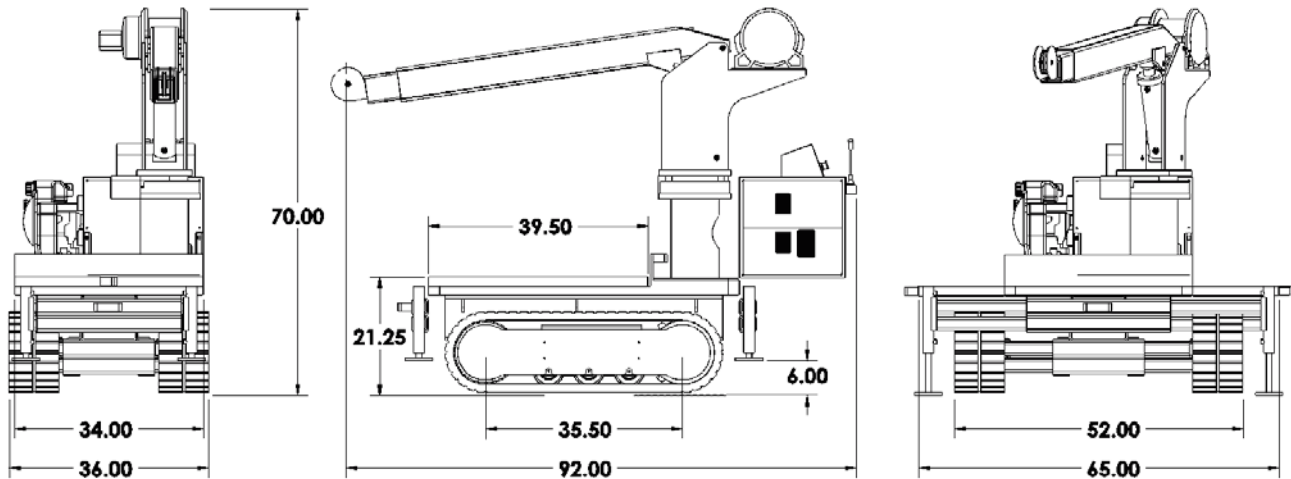
Ph. 440-960-2100  
Fax 440-960-2104

[www.skyliftus.com](http://www.skyliftus.com)

## TECHNICAL SPECIFICATIONS



# ALLEY CAT



**POWER SOURCE**

**Honda 20 HP Gas Engine**

**PUMP**

**5-7 GPM @2500 PSI @1200 RPM**

**HYDRAULIC TANK**

**10 Gallon Baffled Steel Tank**

**MAX. OPERATING PRESSURE**

**3000 PSI**

**MAIN BOOM**

**High Strength Steel, 5 ft. Retracted Length**

**EXTENSION BOOMS**

**4 ft Extension Stroke for 9 ft. Max. Reach**

**ROTATION**

**180 degree Worm Gear Drive**

**ELEVATION**

**-10 to +75 Degrees**

**CAPACITY**

**2500 lbs. (Lifting & Carrying)**

**SHEAVE HEIGHT**

**20 ft.**

**WINCH TYPE**

**Planetary 3000 lb. 150FPM/75 ft. 0.375 Rope**

**CONTROLS**

**Full Pressure, Open Center, Mounted at Rear of Unit with Optional Wireless Remote.**

### OPTIONAL EQUIPMENT

- HYDRAULIC CAPSTAN WINCH FOR PULLING WIRE
- POLE CARRIERS
- RADIO REMOTE CONTROL
- HYDRAULIC AUGER
- CUP HOLDER